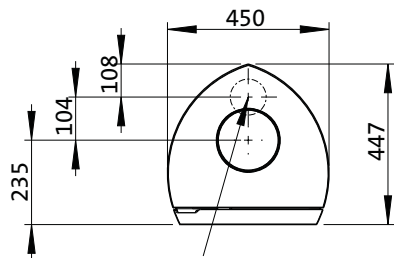
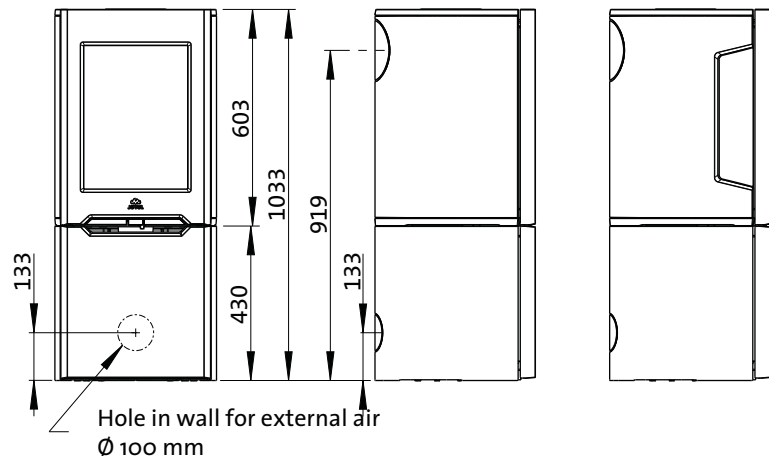


Fig. 1a

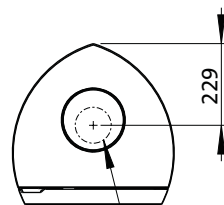
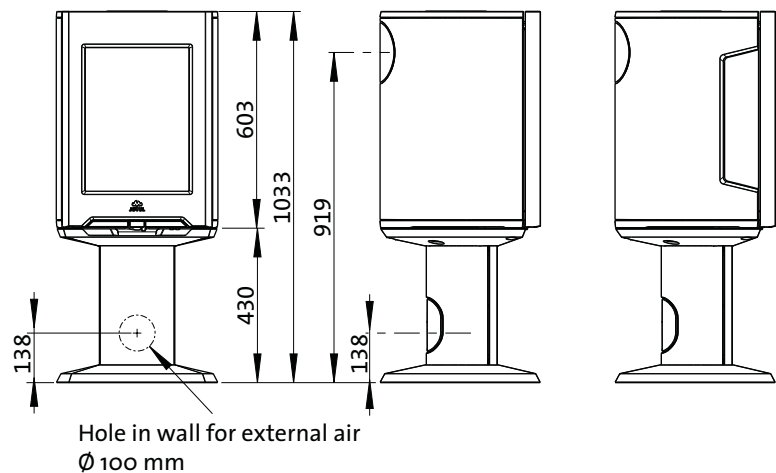
Jøtul F 164 / Jøtul F 165 / Jøtul F 166 / Jøtul F 167 / Jøtul F 166 C / Jøtul F 167 C

Product: Jøtul F 164 / Jøtul F 165



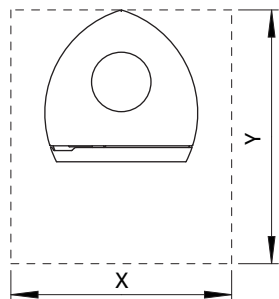
Hole in floor for external air \varnothing 100 mm

Product: Jøtul F 166 / Jøtul F 167



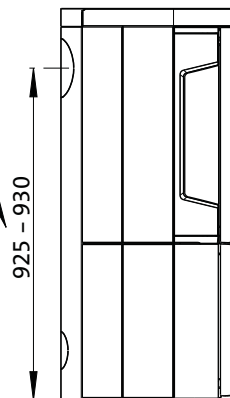
Hole in floor for external air \varnothing 100 mm

Jøtul F 164 / Jøtul F 165
with soapstone set and floor plate

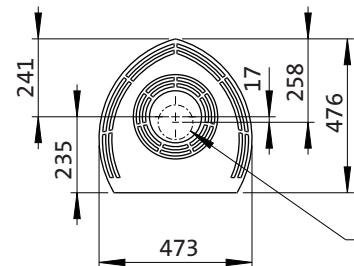
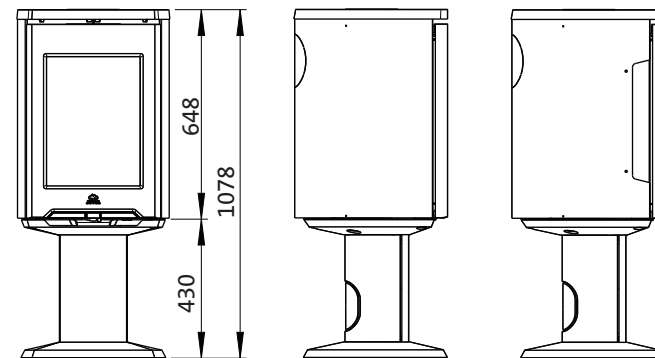


Min. measurements floor plate X,Y =
According to national standards
and regulations. See chapter 4.1

Smoke outlet when using
soapstone set and
floor plate



Product: Jøtul F 166 C / Jøtul F 167 C

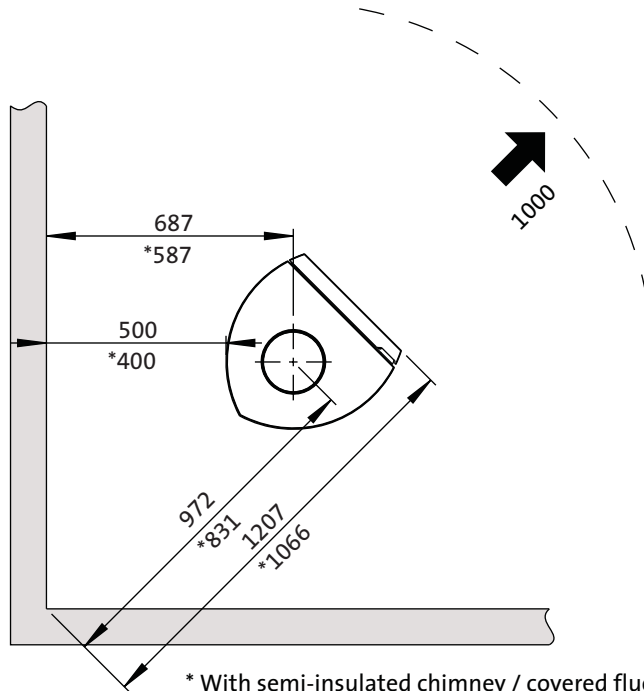
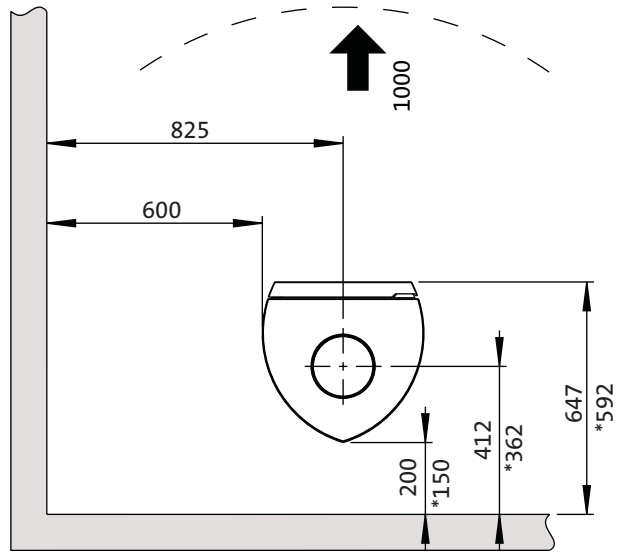


Hole in floor for external air \varnothing 100 mm

Fig. 1b

Jøtul F 164 / Jøtul F 165 / Jøtul F 166 / Jøtul F 167

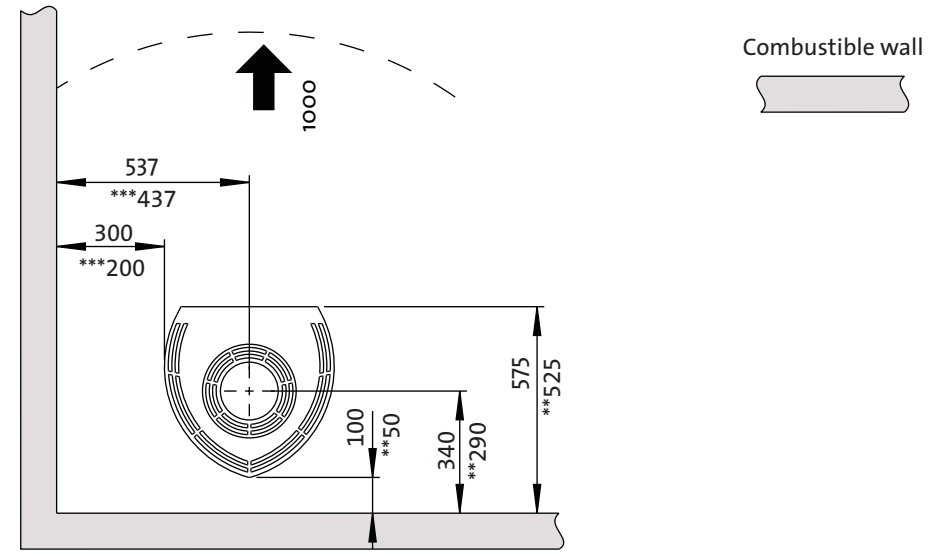
Min. distance to combustable wall, base model



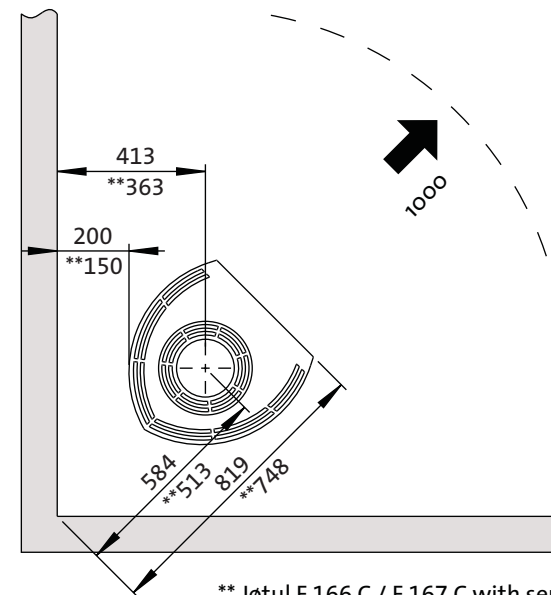
* With semi-insulated chimney / covered flue pipe down towards the product.

Jøtul F 166 C / Jøtul F 167 C

Min. distance to combustable wall, convection model



*** For Jøtul F 166 C only



** Jøtul F 166 C / F 167 C with semi-insulated chimney / covered flue pipe down towards the product.

Fig. 1c

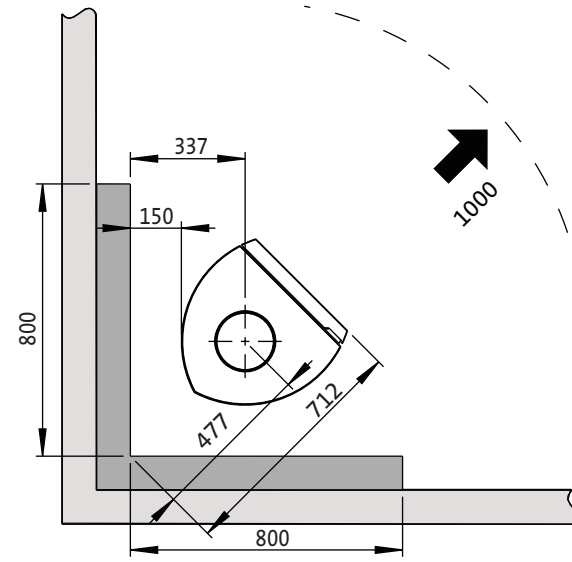
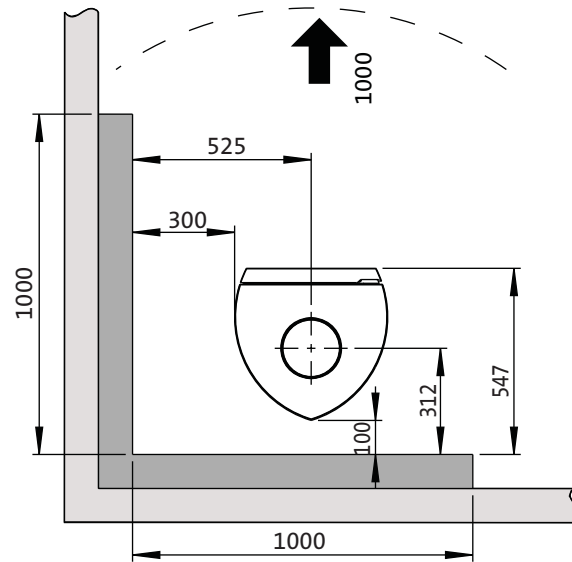
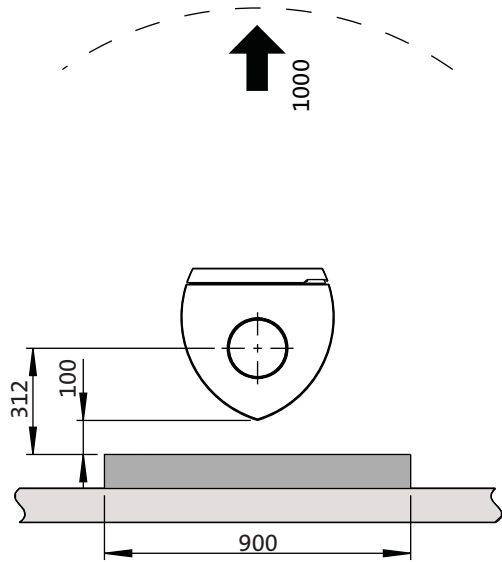
Jøtul F 164 / Jøtul F 165 / Jøtul F 166 / Jøtul F 167

External

Min. distance to combustible wall protected by firewall

Combustible wall

Firewall



Integrated

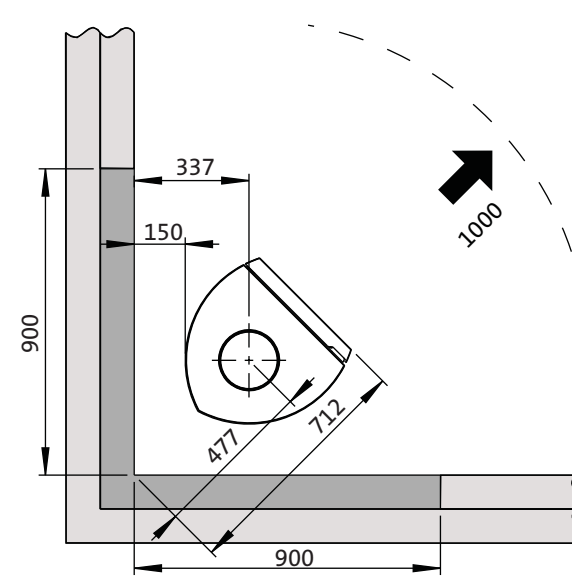
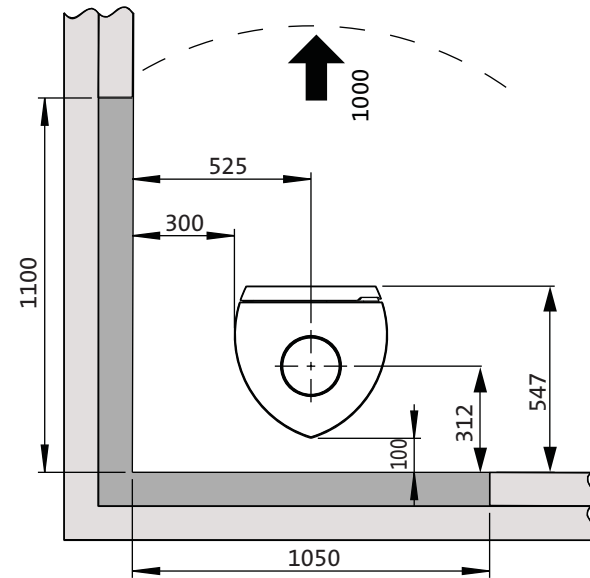
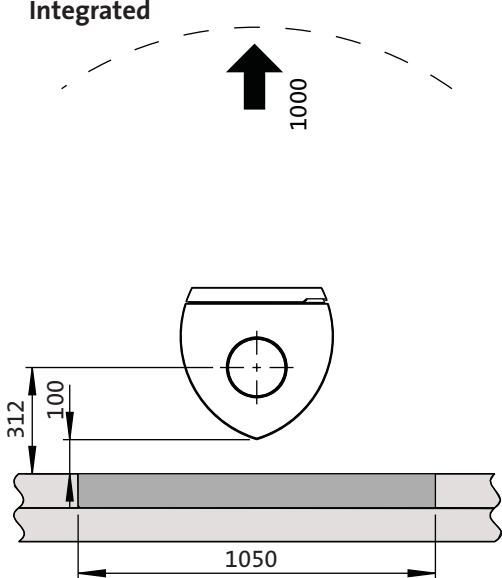


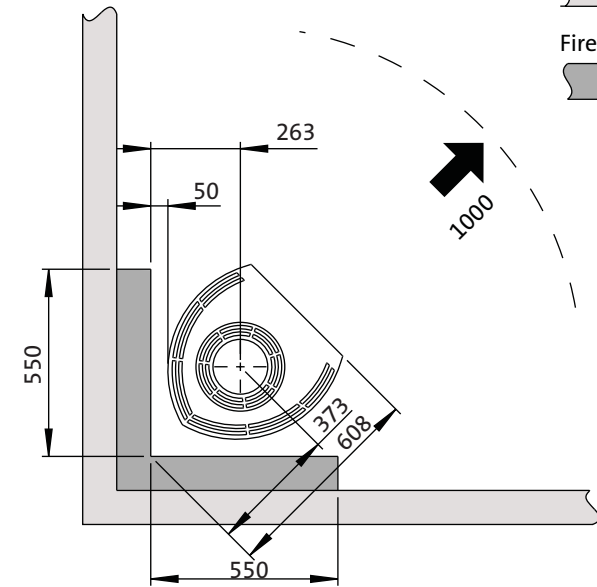
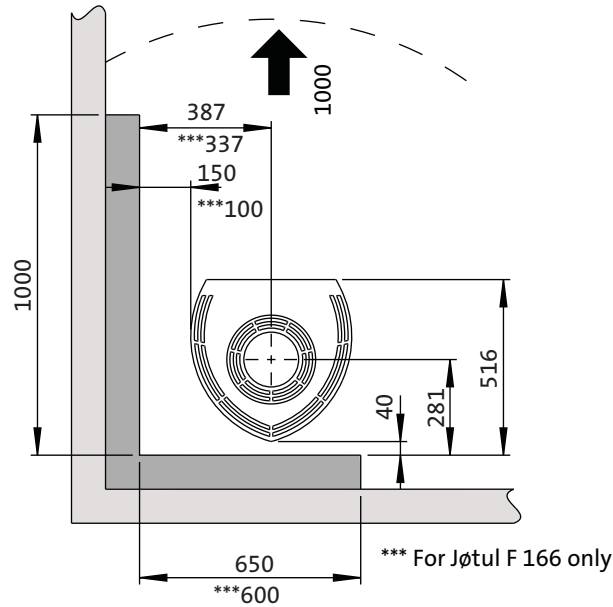
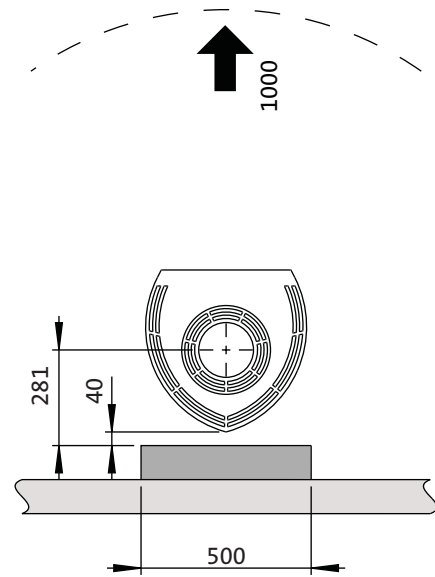
Fig. 1d

Jøtul F 166 C/ Jøtul F 167 C

Combustible wall
 Firewall

External

Min. distance to combustible wall protected by firewall



Integrated

