

Colorado beige



- 5 kW
- Cast iron doors and top plate
- Enameled casing
- Cast iron grade
- Fireclay firebox
- Flue connection rear: 120 mm
- H x W x D: 881x291x341 mm
- For continuous use
- Fuel: wood, lignite



Wood

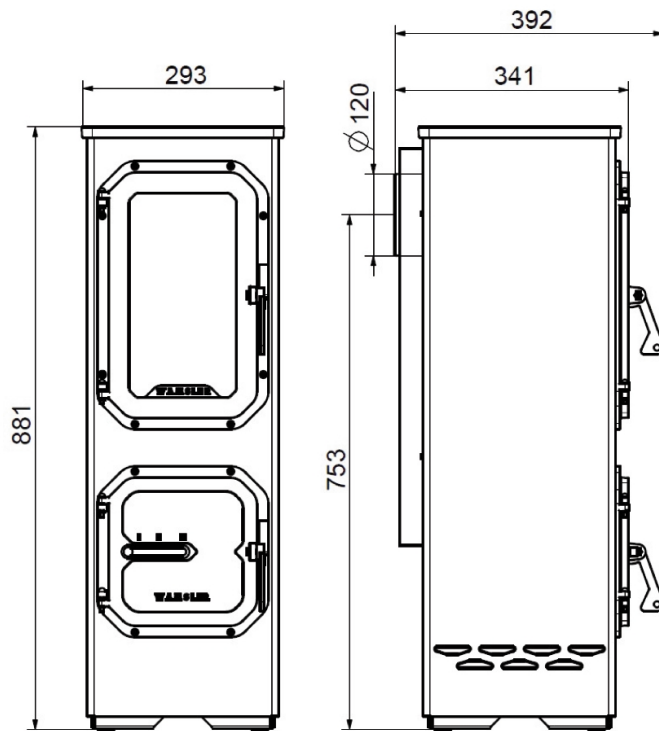


Continuous use



Brown coal

| | |
|---------------------------------|-------------------------------------|
| Certification | 2.Stufe 1.BImSchV, CE, 15aB-VG, VKF |
| Heat output (kW) | 5 |
| Min-max heat output (kW) | 2,4-5,0 |
| Heat capacity (m ³) | 88 |
| Flue gas quantity (g/s) | 4,7 |
| Flue gas temperature (C) | 396 |
| Air needs Pa | 12 |
| Size H x W x D (mm) | 881x291x341 |
| Fuel | wood, lignite |
| Window size H x W (mm) | 295x155 |
| Firebox size W x D x H (mm) | 215x230x500 |
| Net weight (kg) | 51,5 |



Wamsler SE
3100 Salgótarján, Rákóczi út 53-55
www.wamsler.hu

WAMSLER
SEIT 1875