

Kamino 6 Elite



- 6 kW
- Automated air flow
- Enameled casing
- Double walled construction
- Cast iron grade
- Fireclay firebox
- Flue connection rear: 120 mm
- H x W x D: 730x546x350 mm
- For continuous use
- Fuel: wood, lignite



Automat



Double casing



Wood

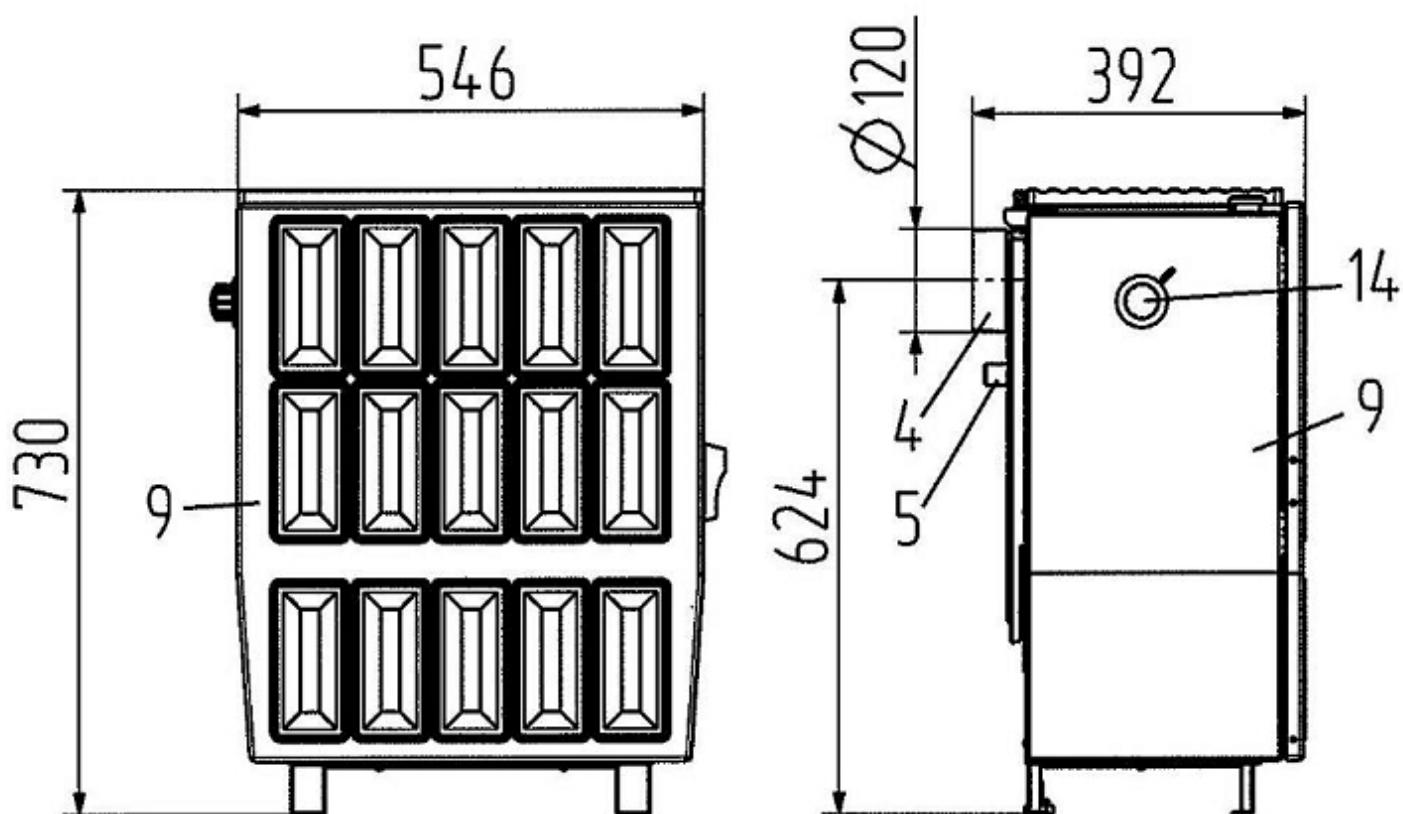


Continuous use



Brown coal

Certification	1.+2.Stufe 1.BImSchV, CE, 15aB-VG, VKF
Heat output (kW)	6
Min-max heat output (kW)	3,0-6,6
Heat capacity (m3)	114
Flue gas quantity (g/s)	6,0
Flue gas temperature (C)	330
Air needs Pa	11
Size H x W x D (mm)	730x546x350
Fuel	wood, lignite
Firebox size W x D x H (mm)	350x200x320
Net weight (kg)	94



Wamsler SE
3100 Salgótarján, Rákóczi út 53-55
www.wamsler.hu